

DVP06XA-H2

Instruction Sheet

安 裝 說 明
安 裝 說 明

Mixed Analog I/O Module

類比I/O混合模組

模拟I/O混合模块

DVP-0070430-01
20211105





Warning

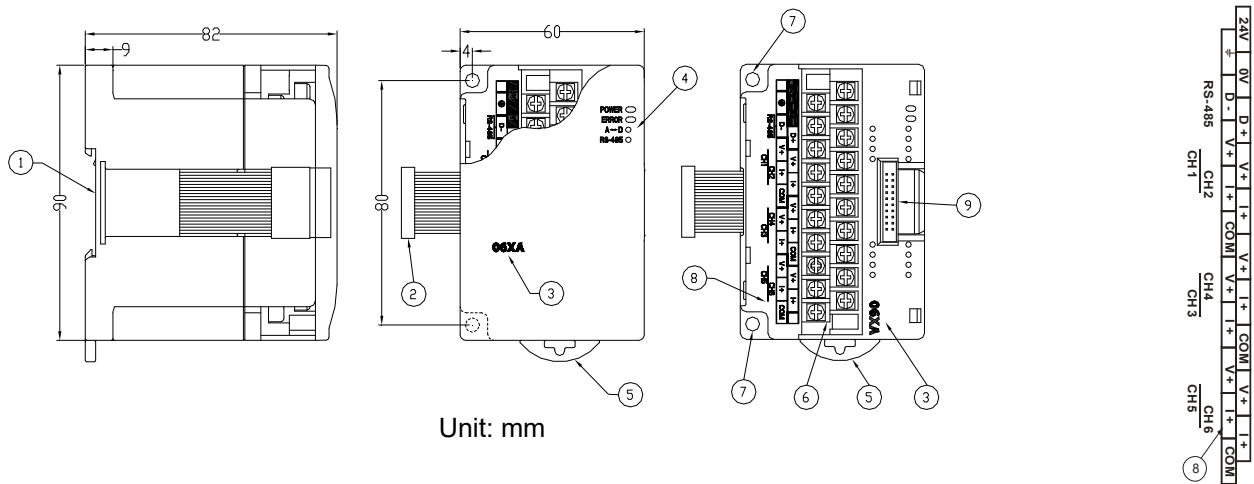
- EN ⚡ DVP06XA-H2 is an OPEN-TYPE device. It should be installed in a control cabinet free of airborne dust, humidity, electric shock and vibration. To prevent non-maintenance staff from operating DVP06XA-H2, or to prevent an accident from damaging DVP06XA-H2, the control cabinet in which DVP06XA-H2 is installed should be equipped with a safeguard. For example, the control cabinet in which DVP06XA-H2 is installed can be unlocked with a special tool or key.
- EN ⚡ DO NOT connect AC power to any of I/O terminals, otherwise serious damage may occur. Please check all wiring again before DVP06XA-H2 is powered up. After DVP06XA-H2 is disconnected, Do NOT touch any terminals in a minute. Make sure that the ground terminal ⊕ on DVP06XA-H2 is correctly grounded in order to prevent electromagnetic interference.
- FR ⚡ DVP06XA-H2 est un module OUVERT. Il doit être installé que dans une enceinte protectrice (boitier, armoire, etc.) saine, dépourvue de poussière, d'humidité, de vibrations et hors d'atteinte des chocs électriques. La protection doit éviter que les personnes non habilitées à la maintenance puissent accéder à l'appareil (par exemple, une clé ou un outil doivent être nécessaire pour ouvrir a protection).
- FR ⚡ Ne pas appliquer la tension secteur sur les bornes d'entrées/Sorties, ou l'appareil DVP06XA-H2 pourra être endommagé. Merci de vérifier encore une fois le câblage avant la mise sous tension du DVP06XA-H2. Lors de la déconnection de l'appareil, ne pas toucher les connecteurs dans la minute suivante. Vérifier que la terre est bien reliée au connecteur de terre ⊕ afin d'éviter toute interférence électromagnétique.

1 Introduction

■ Model Explanation & Peripherals

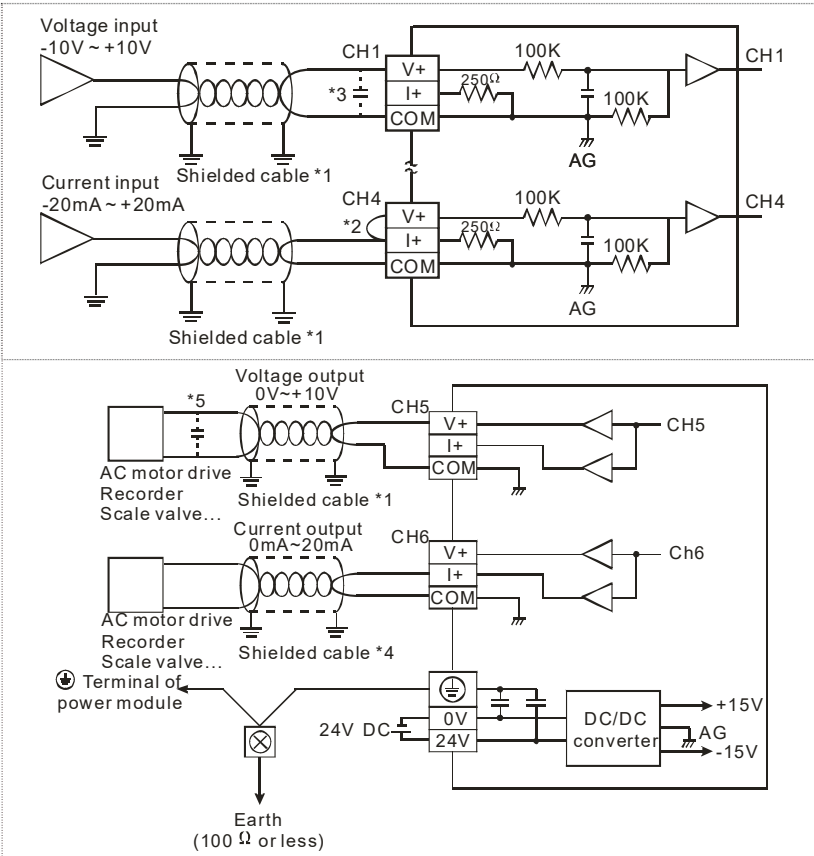
- Thank you for choosing Delta DVP series PLC. DVP06XA-H2 is able to receive 4 points of analog input signals (voltage or current) and convert them into 12-bit digital signals. DVP06XA-H2 receives 2 groups of 12-bit digital data from PLC MPU and converts them into 2 points of analog signal for output (in voltage/current).
- You can select voltage or current input by wiring. Range of voltage input: ±10V DC (resolution: 5mV). Range of current input: ±20mA (resolution: 20µA).
- You can also select voltage or current output by wiring. Range of voltage output: 0V ~ +10V DC (resolution: 2.5mV), Range of current output: 0mA ~ 20mA (resolution: 5µA).

■ Product Profile (Indicators, Terminal Block, I/O Terminals)



| | |
|---|---|
| ① DIN rail (35mm) | ⑥ Terminals |
| ② Connection port for extension unit/module | ⑦ Mounting hole |
| ③ Model name | ⑧ I/O terminals |
| ④ POWER, ERROR, A↔D indicator | ⑨ Connection port for extension unit/module |
| ⑤ DIN rail clip | |

External Wiring



*1: When performing analog input, please isolate other power wirings.

*2: Short-circuit V+ and I+ terminal when connecting current signals.

*3: If the ripples at the input voltage cause noise interference, connect the wiring to 0.1 ~ 0.47μF 25V capacitor.

*4: When performing analog output, please isolate other power wirings.

*5: If the ripple voltage of the input terminal of the load connected is large, and results in interference with the wiring, please connect a 0.1~0.47 μF and 25 V capacitor.

*6: Please connect the terminal ⊕ on both the power module and DVP06XA-H2 to the system earth point and ground the system contact or connect it to the cover of power distribution cabinet.

Note: DO NOT wire empty terminal ●.

Specifications

| Analog/Digital (AD) | Voltage input | Current input |
|-----------------------------|---|-----------------------------------|
| Power supply voltage | 24V DC (20.4V DC ~ 28.8V DC) (-15% ~ +20%) | |
| Analog input channel | 4 channels/module | |
| Range of analog input | ±10V | ±20mA |
| Range of digital conversion | ±2,000 | ±1,000 |
| Resolution | 12 bits (1 _{LSB} = 5mV) | 11 bits (1 _{LSB} = 20μA) |
| Input impedance | 200KΩ | 250Ω |
| Overall accuracy | ±0.5% when in full scale (25°C, 77°F) ±1% when in full scale within the range of 0 ~ 55°C, 32 ~ 131°F | |
| Responding time | 3ms × the number of channels | |
| Isolation | An analog circuit is isolated from a digital circuit by an optocoupler, but the analog channels are not isolated from one other. | |
| Range of absolute input | ±15V | ±32mA |
| Digital data format | 11 significant bits out of 16 bits are available; in 2's complement | |
| Average function | Yes; available for setting up in CR#2 ~ CR#5; range: K1 ~ K20 | |
| Self-diagnosis | Upper and lower bound detection/channel | |
| Digital/Analog (DA) | Voltage output | Current output |
| Analog output channel | 2 channels/module | |
| Range of analog output | 0 ~ 10V | 0 ~ 20mA |
| Range of digital data | 0 ~ 4,000 | 0 ~ 4,000 |
| Resolution | 12 bits (1 _{LSB} = 2.5mV) | 12 bits (1 _{LSB} = 5μA) |
| Overall accuracy | ±0.5% when in full scale (25°C, 77°F) ±1% when in full scale within the range 0 ~ 55°C, 32 ~ 131°F | |
| Output impedance | ≤ 0.5Ω | ≥ 1MΩ |
| Response time | 3ms × the number of channels | |
| Max. output current | 10mA | - |
| Tolerable load impedance | ≥ 1KΩ | ≤ 500Ω |
| Digital data format | 11 significant bits out of 16 bits are available; in 2's complement | |
| Isolation | An analog circuit is isolated from a digital circuit by an optocoupler, but the analog channels are not isolated from each other. | |
| Protection | The voltage output is protected by short circuit. Please also be aware that being short circuit for too long period of time may cause damage on internal circuit. The current output can be open circuit. | |

| Digital/Analog (DA) | Voltage output | Current output |
|---|--|----------------|
| Communication mode (RS-485) | Supported, including ASCII/RTU mode. Default communication format: 9600, 7, E, 1, ASCII; refer to CR#32 for details on the communication format. Note1: RS-485 cannot be used when connected to CPU series PLCs. Note2: Use extension module wizard in ISPSOft to search or modify the control register (CR) in the modules. | |
| When connected to DVP-PLC MPU in series | The modules are numbered from 0 to 7 automatically by their distance from MPU. No. 0 is the closest to MPU and No. 7 is the furthest. Maximum 8 modules are allowed to connect to MPU and will not occupy any digital I/O points. | |

■ Other Specifications

| Power supply | |
|------------------------------|--|
| Max. rated power consumption | 24V DC (20.4V DC ~ 28.8V DC) (-15% ~ +20%)., 3.5W supplied by external power |
| Environment | |
| Operation/storage | Operation: 0°C ~ 55°C (temperature); 5 ~ 95% (humidity); pollution degree 2 Storage: -25°C ~ 70°C (temperature); 5 ~ 95% (humidity) |
| Vibration/shock immunity | International standards: IEC 61131-2, IEC 68-2-6 (TEST Fc)/IEC 61131-2 & IEC 68-2-27 (TEST Ea) |

③ Control Register

| CR # | RS-485 parameter address | Latched | | Register content | Register content | | | | | | | | | | | | | | | | |
|--|--------------------------|---------|-----|------------------------------|--|-----|-----|-----|-----|-----|----|----|----|----|----|----|----------------|----|----|----|--|
| | | | | | b15 | b14 | b13 | b12 | b11 | b10 | b9 | b8 | b7 | b6 | b5 | b4 | b3 | b2 | b1 | b0 | |
| #0 | H'40C8 | ○ | R | Model name | Set up by the system. DVP06XA-H2 model code = H'6604 You can read the model name from the program and see if the extension module exists. | | | | | | | | | | | | | | | | |
| #1 | H'40C9 | ○ | R/W | I/O mode setting | CH6 | CH5 | CH4 | CH3 | CH2 | CH1 | | | | | | | | | | | |
| | | | | | Input mode (CH1 ~ CH4) : Mode 0: Voltage input (-10V ~ +10V); Default = H'0000. Mode 1: Voltage input (-6V ~ +10V). Mode 2: Current input (-12mA ~ +20mA). Mode 3: Current input (-20mA ~ +20mA) Output mode (CH5 ~ CH6) : Mode 0: Voltage output (0V ~ 10V). Mode 1: Voltage output (2V ~ 10V). Mode 2: Current output (4mA ~ 20mA). Mode 3: Current output (0mA ~ 20mA). | | | | | | | | | | | | | | | | |
| CR#1: b0 ~ b11 are used for setting up the working mode of the 4 channels in analog input (A/D). There are 4 modes for each channel which can be set up separately. For example, if the user needs to set up CH1: mode 0 (b2 ~ b0 = 000), CH2: mode 1 (b5 ~ b3 = 001), CH3: mode 2 (b8 ~ b6 = 010), and CH4: mode 3 (b11 ~ b9 = 011), b0 ~ b11 have to be set to H'688. b12 ~ b15 are used for setting up the working mode of the 2 channels in analog output (D/A). There are 4 modes for each channel which can be set up separately. For example, if the user needs to set up CH5: mode 2 (b13 ~ b12 = 10) and CH6: mode 1 (b15 ~ b14 = 01), b12 ~ b15 have to be set to CH5. Default value = H'0000. | | | | | | | | | | | | | | | | | | | | | |
| #2 | H'40CA | ○ | R/W | CH1 average time | Range of settings in CH1 ~ CH4: K1 ~ K20. | | | | | | | | | | | | Default = K10. | | | | |
| #3 | H'40CB | ○ | R/W | CH2 average time | Please note that the average time settings at CR#2 ~ CR#5 only need to be written in once. | | | | | | | | | | | | | | | | |
| #4 | H'40CC | ○ | R/W | CH3 average time | | | | | | | | | | | | | | | | | |
| #5 | H'40CD | ○ | R/W | CH4 average time | | | | | | | | | | | | | | | | | |
| #6 | H'40CE | × | R | CH1 input average | | | | | | | | | | | | | | | | | Average of input signals at CH1 ~ CH4. |
| #7 | H'40CF | × | R | CH2 input average | For example, if the settings in CR#2 ~ CR#5 are 10, the content in CR#6 ~ CR#9 will be the average of the most recent 10 signals at CH1 ~ CH4. | | | | | | | | | | | | | | | | |
| #8 | H'40D0 | × | R | CH3 input average | | | | | | | | | | | | | | | | | |
| #9 | H'40D1 | × | R | CH4 input average | | | | | | | | | | | | | | | | | |
| #10 | H'40D2 | × | R/W | CH5 output value | Output value at CH5 ~ CH6. Range: K0 ~ K4,000. | | | | | | | | | | | | | | | | |
| #11 | H'40D3 | × | R/W | CH6 output value | Default = K0. Unit: LSB. | | | | | | | | | | | | | | | | |
| #12 | H'40D4 | × | R | CH1 input present value | Present value of input signals at CH1 ~ CH4. | | | | | | | | | | | | | | | | |
| #13 | H'40D5 | × | R | CH2 input present value | | | | | | | | | | | | | | | | | |
| #14 | H'40D6 | × | R | CH3 input present value | | | | | | | | | | | | | | | | | |
| #15 | H'40D7 | × | R | CH4 input present value | | | | | | | | | | | | | | | | | |
| #18 | H'40DA | ○ | R/W | Adjusted OFFSET value of CH1 | OFFSET settings at CH1 ~ CH4. Default = K0; Unit: LSB. When voltage input, range: K-1,000 ~ K1,000. When current input, range: K-1,000 ~ K1,000. | | | | | | | | | | | | | | | | |
| #19 | H'40DB | ○ | R/W | Adjusted OFFSET value of CH2 | | | | | | | | | | | | | | | | | |
| #20 | H'40DC | ○ | R/W | Adjusted OFFSET value of CH3 | | | | | | | | | | | | | | | | | |
| #21 | H'40DD | ○ | R/W | Adjusted OFFSET value of CH4 | | | | | | | | | | | | | | | | | |
| #22 | H'40DE | ○ | R/W | Adjusted OFFSET value of CH5 | OFFSET settings at CH5 ~ CH6. Range: K-2,000 ~ K2,000. Default = K0; Unit: LSB. | | | | | | | | | | | | | | | | |
| #23 | H'40DF | ○ | R/W | Adjusted OFFSET value of CH6 | | | | | | | | | | | | | | | | | |
| Note: CR#18-CR#23 When CR#1 is modified, adjusted OFFSET value returns to default. | | | | | | | | | | | | | | | | | | | | | |
| #24 | H'40E0 | ○ | R/W | Adjusted GAIN value of CH1 | GAIN settings at CH1 ~ CH4. Default = K1,000; Unit: LSB. | | | | | | | | | | | | | | | | |

| CR # | RS-485 parameter address | Latched | Register content | b15 | b14 | b13 | b12 | b11 | b10 | b9 | b8 | b7 | b6 | b5 | b4 | b3 | b2 | b1 | b0 | |
|---|--------------------------|----------------------------------|------------------|---|---|----------|-----|-----|-----|-----|----|----|----|----|----|----|----|----|----|----|
| #25 | H'40E1 | <input type="radio"/> | R/W | Adjusted GAIN value of CH2 | When voltage input, range: K-800 ~ K4,000. | | | | | | | | | | | | | | | |
| #26 | H'40E2 | <input type="radio"/> | R/W | Adjusted GAIN value of CH3 | When current input, range: K-800 ~ K2,600. | | | | | | | | | | | | | | | |
| #27 | H'40E3 | <input type="radio"/> | R/W | Adjusted GAIN value of CH4 | Note: When CR#1 is modified, adjusted Gain value returns to default. | | | | | | | | | | | | | | | |
| <p>Note: $GAIN\ value - OFFSET\ value = +200_{LSB} \sim +3,000_{LSB}$ (voltage) or $+200_{LSB} \sim +1,600_{LSB}$ (current).</p> <p>When GAIN - OFFSET is small (steep oblique), the resolution of input signal will be finer and variation on the digital value will be greater. When GAIN - OFFSET is big (gradual oblique), the resolution of input signal will be rougher and variation on the digital value will be smaller.</p> | | | | | | | | | | | | | | | | | | | | |
| #28 | H'40E4 | <input type="radio"/> | R/W | Adjusted GAIN value of CH5 | GAIN settings at CH5 ~ CH6. Range: K0 ~ K4,000. | | | | | | | | | | | | | | | |
| #29 | H'40E5 | <input type="radio"/> | R/W | Adjusted GAIN value of CH6 | Default = K2,000; Unit: LSB. | | | | | | | | | | | | | | | |
| <p>Note: $GAIN\ value - OFFSET\ value = +400_{LSB} \sim +6,000_{LSB}$ (voltage or current).</p> <p>When GAIN - OFFSET is small (steep oblique), the resolution of output signal will be finer and variation on the digital value will be greater. When GAIN - OFFSET is big (gradual oblique), the resolution of output signal will be rougher and variation on the digital value will be smaller.</p> | | | | | | | | | | | | | | | | | | | | |
| #30 | H'40E6 | <input checked="" type="radio"/> | R | Error status | Register for storing all error status. See the table of error status for more information. | | | | | | | | | | | | | | | |
| CR#30: Error status value (see the table below) | | | | | | | | | | | | | | | | | | | | |
| | | | | Error status | Content | b15 ~ b8 | b7 | b6 | b5 | b4 | b3 | b2 | b1 | b0 | | | | | | |
| | | | | Abnormal power supply | K1 (H'1) | Reserved | 0 | 0 | 0 | 0 | 0 | 0 | 0 | 0 | 1 | | | | | |
| | | | | Incorrect analog input value | K2 (H'2) | | 0 | 0 | 0 | 0 | 0 | 0 | 0 | 1 | 0 | | | | | |
| | | | | Incorrect mode setting | K4 (H'4) | | 0 | 0 | 0 | 0 | 0 | 0 | 1 | 0 | 0 | | | | | |
| | | | | OFFSET/GAIN error | K8 (H'8) | | 0 | 0 | 0 | 0 | 1 | 0 | 0 | 0 | 0 | | | | | |
| | | | | Memory self-test fail | K16 (H'10) | | 0 | 0 | 0 | 1 | 0 | 0 | 0 | 0 | 0 | | | | | |
| | | | | Abnormal conversion value range | K32 (H'20) | | 0 | 0 | 1 | 0 | 0 | 0 | 0 | 0 | 0 | | | | | |
| | | | | Incorrect average times setting | K64 (H'40) | | 0 | 1 | 0 | 0 | 0 | 0 | 0 | 0 | 0 | | | | | |
| | | | | Instruction error | K128 (H'80) | | 1 | 0 | 0 | 0 | 0 | 0 | 0 | 0 | 0 | | | | | |
| <p>Note: Each error status is determined by the corresponding bit (b0 ~ b7) and there may be more than 2 errors occurring at the same time. 0 = normal; 1 = error.</p> <p>Example: If the digital input exceeds 4,000, error (K2) will occur. If the analog output exceeds 10V, both analog input value error K2 and K32 will occur. (A/D does not support displaying error K2.)</p> | | | | | | | | | | | | | | | | | | | | |
| #31 | H'40E7 | <input type="radio"/> | R/W | Communication address | For setting RS-485 communication address. Range: 01 ~ 254. Default = K1. | | | | | | | | | | | | | | | |
| #32 | H'40E8 | <input type="radio"/> | R/W | Communication format | 6 communication speeds: 4,800 bps /9,600 bps /19,200 bps / 38,400 bps /57,600 bps /115,200 bps. Data formats include: ASCII: 7, E, 1 / 7, O, 1 / 8, E, 1 / 8, O, 1 / 8, N, 1 / 7, E, 2 / 7, O, 2 / 7, N, 2 / 8, E, 2 / 8, O, 2 / 8, N, 2 RTU: 8, E, 1 / 8, O, 1 / 8, N, 1 / 8, E, 2 / 8, O, 2 / 8, N, 2 Default: ASCII, 9600, 7, E, 1 (CR#32=H'0002) Please refer to *CR#32 at the bottom of the page for more details. | | | | | | | | | | | | | | | |
| #33 | H'40E9 | <input type="radio"/> | R/W | Returning to default; OFFSET/GAIN tuning authorization | b15 | b14 | b13 | b12 | b11 | b10 | b9 | b8 | b7 | b6 | b5 | b4 | b3 | b2 | b1 | b0 |
| | | | | | CH6 | CH5 | CH4 | CH3 | CH2 | CH1 | | | | | | | | | | |
| <p>Default = H'0000. Take the setting of CH1 ~ CH4 for example:</p> <ol style="list-style-type: none"> When b0 = 0, the user is allowed to tune CR#18 (OFFSET) and CR#24 (GAIN) of CH1. When b0 = 1, the user is not allowed to tune CR#18 (OFFSET) and CR#24 (GAIN) of CH1. b1 represents whether the OFFSET/GAIN tuning registers are latched. b1 = 0 (default, latched); b1 = 1 (non-latched). When b2 = 1, all settings will return to default values. Take the setting of CH5 for the settings of CH5 ~ CH6: When b13 and b12 = 00: adjustable, latched; 01: adjustable, non-latched 10: not adjustable; 11: returning to default setting and reset b13 and b12 as 0. | | | | | | | | | | | | | | | | | | | | |
| CR#33: For authorizations on some internal functions, e.g. OFFSET/GAIN tuning. The latched function will store the output setting in the internal memory before the power is cut off. | | | | | | | | | | | | | | | | | | | | |
| #34 | H'40EA | <input type="radio"/> | R | Firmware version | Displaying the current firmware version in hex; e.g. version 1.0A is indicated as H'010A. | | | | | | | | | | | | | | | |
| #35 ~ #48 | | | | For system use | | | | | | | | | | | | | | | | |

| CR # | RS-485 parameter address | Latched | Register content | b15 | b14 | b13 | b12 | b11 | b10 | b9 | b8 | b7 | b6 | b5 | b4 | b3 | b2 | b1 | b0 |
|------|--------------------------|---------|------------------|-----|-----|-----|-----|-----|-----|----|----|----|----|----|----|----|----|----|----|
|------|--------------------------|---------|------------------|-----|-----|-----|-----|-----|-----|----|----|----|----|----|----|----|----|----|----|

Symbols: ○: Latched (when written in through RS-485 communication). ×: Non-latched.

R: Able to read data by FROM instruction, W: Able to write data by TO instruction or RS-485 communication.

LSB (Least Significant Bit): For voltage input: $1_{LSB} = 10V/2,000 = 5mV$. For current input: $1_{LSB} = 20mA/1,000 = 20\mu A$.

For voltage output: $1_{LSB} = 10V/4,000 = 2.5mV$. For current input: $1_{LSB} = 20mA/4,000 = 5\mu A$.

* Reset Module (Firmware V4.06 or above): Having connected the external power 24V, write the reset code H'4352 in CR#0, then disconnect and reboot to complete the setup.

*CR#32 Communication Format Setting:

- Firmware V4.04 (and lower): Data format (b11~b8) is not available, ASCII format is 7, E, 1 (code H'00xx), RTU format is 8, E, 1 (code H'C0xx/H'80xx).
- Firmware V4.05 (and higher): Refer to the following table for setup. For new communication format, please take note that modules in the original code H'C0xx/H'80xx is changed to 8E1 for RTU.

| b15 ~ b12 | | b11 ~ b8 | | | | b7 ~ b0 | |
|--|-----------------------------------|-------------|---------|-----|---------|---------------------|------------|
| ASCII/RTU & High/Low Bit Exchange of CRC | | Data Format | | | | Communication Speed | |
| Description | | | | | | | |
| H'0 | ASCII | H'0 | 7,E,1*1 | H'6 | 7,E,2*1 | H'01 | 4800 bps |
| H'8 | No High/Low Bit Exchange of CRC | H'1 | 8,E,1 | H'7 | 8,E,2 | H'02 | 9600 bps |
| | | H'2 | - | H'8 | 7,N,2*1 | H'04 | 19200 bps |
| H'C | RTU, High/Low Bit Exchange of CRC | H'3 | 8,N,1 | H'9 | 8,N,2 | H'08 | 38400 bps |
| | | H'4 | 7,O,1*1 | H'A | 7,O,2*1 | H'10 | 57600 bps |
| | | H'5 | 8,O,1 | H'B | 8,O,2 | H'20 | 115200 bps |

Ex: To setup 8N1 for RTU (High/Low Bit Exchange of CRC), communication speed is 57600 bps, write H'C310 in CR #32. Note *1. Supports ASCII mode ONLY.

CR#0 ~ CR#34: The corresponding parameter addresses H'40C8 ~ H'40EA are for you to read/write data by RS-485 communication. When using RS-485, you have to separate the module with MPU first.

- Function: H'03 (read register data); H'06 (write 1 word datum to register); H'10 (write many word data to register).
- Latched CR should be written by RS-485 communication to stay latched. CR will not be latched if written by MPU through TO/DTO instruction.

④ Temperature/Digital Characteristic Curve

■ Adjusting A/D Conversion Curve at CH1 ~ CH4

| | | |
|---------------|--|--|
| | CR#1 mode 0 | GAIN = 5V (1,000 _{LSB}). OFFSET = 0V (0 _{LSB}). |
| | CR#1 mode 1 | GAIN = 6V (1,200 _{LSB}). OFFSET = 2V (400 _{LSB}). |
| | GAIN | The voltage input value when the digital output value = K4,000. Range: -800 _{LSB} ~ +4,000 _{LSB} . |
| | OFFSET | The voltage output value when digital input value = K0. Range: -1,000 _{LSB} ~ +1,000 _{LSB} . |
| | CR#1 mode 2 | GAIN = 20mA (1,000 _{LSB}). OFFSET = 4mA (200 _{LSB}). |
| | CR#1 mode 3 | GAIN = 20mA (1,000 _{LSB}). OFFSET = 0mA (0 _{LSB}). |
| | GAIN | The current output value when digital input value = K1,000. Range: -800 _{LSB} ~ +2,600 _{LSB} . |
| | OFFSET | The current output value when digital input value = K0. Range: -1,000 _{LSB} ~ +1,000 _{LSB} . |
| GAIN - OFFSET | Range: +200 _{LSB} ~ +3,000 _{LSB} . | |
| GAIN - OFFSET | Range: +200 _{LSB} ~ +1,600 _{LSB} . | |

You can adjust the OFFSET/GAIN curve of voltage/current input mode according to the actual needs by changing the OFFSET value (CR#18 ~ CR#21) and GAIN value (CR#24 ~ CR#27).

■ Adjusting D/A Conversion Curve at CH5 ~ CH6

| | | |
|--------------------------------|---------------|--|
| Voltage output mode | CR#1 mode 0 | GAIN = 5V (2,000 _{LSB}). OFFSET = 0V (0 _{LSB}). |
| | CR#1 mode 1 | GAIN = 6V (2,400 _{LSB}). OFFSET = 2V (800 _{LSB}). |
| | GAIN | The voltage output value when digital input value = K2,000. Range: 0 _{LSB} ~ +4,000 _{LSB} . |
| | OFFSET | The voltage output value when digital input value = K0. Range: -5V ~ +5V (-2,000 _{LSB} ~ +2,000 _{LSB}). |
| | GAIN - OFFSET | Range: +400 _{LSB} ~ +6,000 _{LSB} . |
| Current output mode | CR#1 mode 2 | GAIN = 12mA (2,400 _{LSB}). OFFSET = 4mA (800 _{LSB}). |
| | CR#1 mode 3 | GAIN = 10mA (2,000 _{LSB}). OFFSET = 0mA (0 _{LSB}). |
| | GAIN | The current output value when digital input value = K2,000. Range: 0 _{LSB} ~ +4,000 _{LSB} . |
| | OFFSET | The current output value when digital input value = K0. Range: -10mA ~ +10mA (-2,000 _{LSB} ~ +2,000 _{LSB}). |
| | GAIN - OFFSET | Range: +400 _{LSB} ~ +6,000 _{LSB} . |

You can adjust the OFFSET/GAIN curve of voltage/current output mode according to the actual needs by changing the OFFSET value (CR#14 ~ CR#15) and GAIN value (CR#18 ~ CR#19).



注意事項

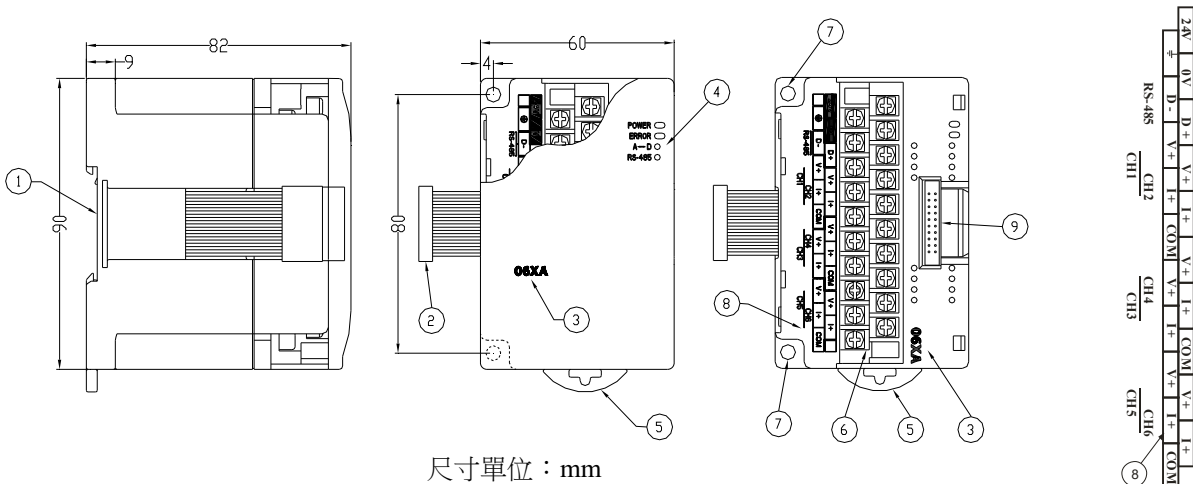
- ✓ 請在使用之前，詳細閱讀本使用說明書。
- ✓ 請勿在上電時觸摸任何端子。實施配線，務必關閉電源。
- ✓ 本機為開放型 (OPEN TYPE) 機殼，因此使用者使用本機時，必須將之安裝於具防塵、防潮及免於電擊/衝擊意外之外殼配線箱內。另必須具備保護措施（如：特殊之工具或鑰匙才可打開）防止非維護人員操作或意外衝擊本體，造成危險及損壞。
- ✓ 輸入電源不可連接於輸入/出信號端，否則可能造成嚴重的損壞，因此請在上電之前再次確認電源配線。
- ✓ 輸入電源切斷後，一分鐘之內，請勿觸摸內部電路。
- ✓ 本體上之接地端子 (⊕) 務必正確的接地，可提高產品抗雜訊能力。

1 產品簡介

■ 說明及週邊裝置

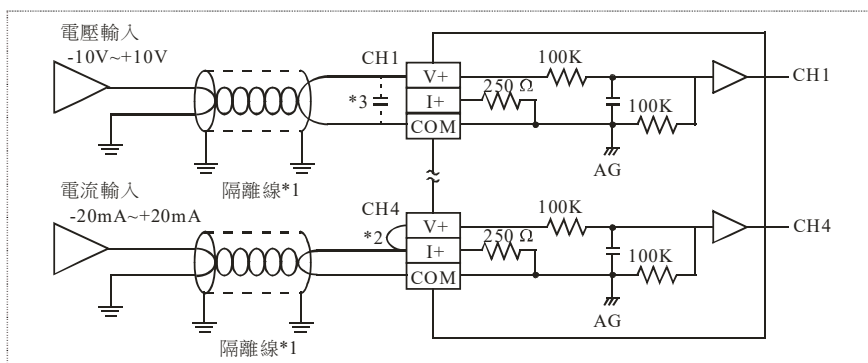
- 謝謝您採用台達 DVP 系列產品。DVP06XA-H2 類比輸入/輸出混合模組包含可接受外部 4 點類比信號輸入（電壓或電流皆可），將之轉換成 12 位元之數位信號。類比信號輸出部份接受來自 PLC 主機的 2 組 12 位元數位資料，再將數位資料轉換為 2 點類比信號輸出（電壓或電流皆可）。
- 類比信號輸入部份使用者可經由配線選擇電壓輸入或電流輸入。電壓輸入範圍 $\pm 10V$ DC（解析度為 $5mV$ ）。電流輸入範圍 $\pm 20mA$ （解析度為 $20\mu A$ ）。
- 類比信號輸出部份使用者可經由配線選擇電壓輸出或電流輸出。電壓輸出範圍 $0V \sim +10V$ DC（解析度為 $2.5mV$ ）。電流輸出範圍 $0mA \sim 20mA$ （解析度為 $5\mu A$ ）。

■ 產品外觀及各部介紹



- | | |
|-----------------|---------------|
| ① DIN 軌槽 (35mm) | ⑥ 端子 |
| ② 擴充機/擴充模組連接口 | ⑦ 固定孔 |
| ③ 機種名稱 | ⑧ 端子配置 |
| ④ 電源、錯誤及轉換指示燈 | ⑨ 擴充機/擴充模組連接座 |
| ⑤ DIN 軌固定扣 | |

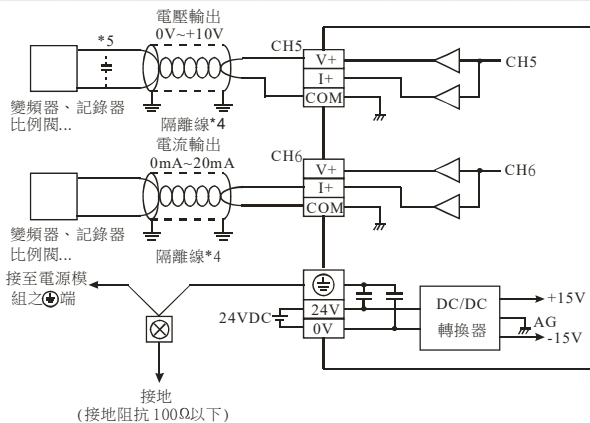
■ 外部配線



註 1：類比輸入請與其他電源線隔離。

註 2：如果連接電流信號時，V+及 I+ 端子請務必短路。

註 3：如果輸入電壓有漣波造成配線受雜訊干擾時請連接 $0.1 \sim 0.47\mu F$ 25V 之電容。



註 4：類比輸出請與其他電源線隔離。

註 5：如果負載之輸入端漣波太大造成配線受雜訊干擾時，請連接 0.1 ~ 0.47 μ F 25V 之電容。

註 6：請將電源模組之 \oplus 端及 DVP06XA-H2 類比信號輸出模組之 \oplus 端連接到系統接地點，再將系統接點作接地或接到配電箱之機殼上。

注意：空端子 ● 請勿配線。

② 規格

| 類比／數位 (AD) 部份 | 電壓輸入 | 電流輸入 |
|------------------|---|-----------------------------|
| 電源電壓 | 24V DC (20.4V DC ~ 28.8V DC) (-15% ~ +20%) | |
| 類比訊號輸入通道 | 4 通道/台 | |
| 類比輸入範圍 | $\pm 10V$ | $\pm 20mA$ |
| 數位轉換範圍 | $\pm 2,000$ | $\pm 1,000$ |
| 解析度 | 12 bits (1LSB = 5mV) | 11 bits (1LSB = 20 μ A) |
| 輸入阻抗 | 200K Ω | 250 Ω |
| 總和精密度 | $\pm 0.5\%$ 在 (25°C, 77°F) 範圍內滿刻度時。 $\pm 1\%$ 在 (0 ~ 55°C, 32 ~ 131°F) 範圍內滿刻度時。 | |
| 響應時間 | 3ms \times 通道數 | |
| 隔離方式 | 類比與數位端使用光耦合器隔離，類比通道間未隔離。 | |
| 絕對輸入範圍 | $\pm 15V$ | $\pm 32mA$ |
| 數位資料格式 | 16 位元二補數，有效位 11 bits | |
| 平均功能 | 有 (CR#2 ~ CR#5 可設定，範圍 K1 ~ K20) | |
| 自我診斷功能 | 上下極限偵測／通道 | |
| 數位／類比 (DA) 部份 | 電壓輸出 | 電流輸出 |
| 類比訊號輸出通道 | 2 通道/台 | |
| 類比輸出範圍 | 0 ~ 10V | 0 ~ 20mA |
| 數位資料範圍 | 0 ~ 4,000 | 0 ~ 4,000 |
| 解析度 | 12 bits (1LSB = 2.5mV) | 12 bits (1LSB = 5 μ A) |
| 總和精密度 | $\pm 0.5\%$ 在 (25°C, 77°F) 範圍內滿刻度時。 $\pm 1\%$ 在 (0 ~ 55°C, 32 ~ 131°F) 範圍內滿刻度時。 | |
| 輸出阻抗 | 0.5 Ω or 更低 | |
| 響應時間 | 3ms \times 通道數 | |
| 最大輸出電流 | 20mA (1K Ω ~ 2M Ω) | - |
| 容許負載阻抗 | - | 0 ~ 500 Ω |
| 數位資料格式 | 16 位元二補數，有效位 11 bits。 | |
| 隔離方式 | 類比與數位端使用光耦合器隔離，類比通道間未隔離。 | |
| 保護 | 電壓輸出有短路保護但須注意長時間短路仍有可能造成內部線路損壞，電流輸出可開路。 | |
| 通訊模式 (RS-485) | 有，包含 ASCII/RTU 模式，預設通訊格式為 9600, 7, E, 1, ASCII，詳細通訊格式請參考 CR#32 說明。 備註 1：當與 PLC 主機串接時，RS-485 通訊無法使用。 備註 2：使用者可利用 ISPSOft 之 擴充模組監控 功能，查詢或修改模組的控制暫存器(CR)。 | |
| 與 DVP-PLC 主機串接說明 | 模組編號以靠近主機之順序自動編號由 0 到 7，最大可連接 8 台且不佔用數位 I/O 點數。 | |

■ 其他規格

| 電源規格 | |
|----------|--|
| 額定最大消耗功率 | 直流 24V DC (20.4V DC ~ 28.8V DC) (-15% ~ +20%), 3.5W, 由外部電源供應 |
| 環境規格 | |
| 操作／儲存環境 | 操作：0°C ~ 55°C (溫度)，5 ~ 95% (濕度)，污染等級 2 儲存：-25°C ~ 70°C (溫度)，5 ~ 95% (濕度) |
| 耐振動／衝擊 | 國際標準規範 IEC 61131-2, IEC 68-2-6 (TEST Fc)/IEC 61131-2 & IEC 68-2-27 (TEST Ea) |

③ 控制暫存器 CR

| CR 編號 | RS-485 參數位址 | 保持型 | | 暫存器名稱 | b15 | b14 | b13 | b12 | b11 | b10 | b9 | b8 | b7 | b6 | b5 | b4 | b3 | b2 | b1 | b0 |
|--|-------------|-----|-----|-----------------|---|-----|-----|-----|-----|-----|-----|----|-----|----|-----|----|---|----|----|----|
| #0 | H'40C8 | ○ | R | 機種型號 | 系統內定。DVP06XA-H2 機種編碼 = H'6604 使用者可在程式中將此機種型號讀出，以判斷擴充模組是否存在。 | | | | | | | | | | | | | | | |
| #1 | H'40C9 | ○ | R/W | 輸入/輸出模式設定 | CH6 | | CH5 | | CH4 | | CH3 | | CH2 | | CH1 | | 輸入模式設定 (CH1 ~ CH4)： 模式 0：電壓輸入模式 (-10V ~ +10V)。出廠設定值為 H'0000 模式 1：電壓輸入模式 (-6V ~ +10V) 模式 2：電流輸入模式 (-12mA ~ +20mA) 模式 3：電流輸入模式 (-20mA ~ +20mA) 輸出模式設定 (CH5 ~ CH6)： 模式 0：電壓輸出模式 (0V ~ 10V)；模式 1：電壓輸出模式 (2V ~ 10V) 模式 2：電流輸出模式 (4mA ~ 20mA)；模式 3：電流輸出模式 (0mA ~ 20mA) | | | |
| CR#1：b0 ~ b11 內容值用來設定類比信號輸入(AD)部份四個通道的工作模式，每個通道各有四種模式，可獨立設定。例如要將 CH1 ~ CH4 分別輸入設定為 CH1：模式 0 (b2 ~ b0 = 000)，CH2：模式 1 (b5 ~ b3 = 001)，CH3：模式 2 (b8 ~ b6 = 010)，CH4：模式 3 (b11 ~ b9 = 011)時，須將 b0 ~ b11 設為 H'688。b12 ~ b15 內容值用來設定類比信號輸出(DA)部份兩個通道的工作模式，每個通道各有四種模式，可獨立設定。例如要將 CH5 ~ CH6 分別輸出設定為 CH5：模式 2 (b13 ~ b12 = 10)，CH6：模式 1 (b15 ~ b14 = 01)，須將 b12 ~ b15 設為 H5。 | | | | | | | | | | | | | | | | | | | | |
| #2 | H'40CA | ○ | R/W | CH1 平均次數 | 通道 CH1 ~ CH4 輸入信號的平均次數設定，可設定範圍 K1 ~ K20。 出廠設定值為 K10 請注意寫入平均次數設定於 CR#2 ~ CR#5 只須寫入一次 | | | | | | | | | | | | | | | |
| #3 | H'40CB | ○ | R/W | CH2 平均次數 | | | | | | | | | | | | | | | | |
| #4 | H'40CC | ○ | R/W | CH3 平均次數 | | | | | | | | | | | | | | | | |
| #5 | H'40CD | ○ | R/W | CH4 平均次數 | | | | | | | | | | | | | | | | |
| #6 | H'40CE | × | R | CH1 輸入信號平均值 | 通道 CH1 ~ CH4 輸入信號平均值顯示 假設平均次數設定為 10，即每經過 10 次通道 CH1 ~ CH4 輸入信號時取一次平均。 | | | | | | | | | | | | | | | |
| #7 | H'40CF | × | R | CH2 輸入信號平均值 | | | | | | | | | | | | | | | | |
| #8 | H'40D0 | × | R | CH3 輸入信號平均值 | | | | | | | | | | | | | | | | |
| #9 | H'40D1 | × | R | CH4 輸入信號平均值 | | | | | | | | | | | | | | | | |
| #10 | H'40D2 | × | R/W | CH5 輸出數值 | 通道 CH5 ~ CH6 輸出數值，可設定範圍 K0 ~ K4,000。 出廠設定值為 K0，單位為 LSB。 | | | | | | | | | | | | | | | |
| #11 | H'40D3 | × | R/W | CH6 輸出數值 | | | | | | | | | | | | | | | | |
| #12 | H'40D4 | × | R | CH1 輸入信號現在值 | 通道 CH1 ~ CH4 輸入信號現在值顯示 | | | | | | | | | | | | | | | |
| #13 | H'40D5 | × | R | CH2 輸入信號現在值 | | | | | | | | | | | | | | | | |
| #14 | H'40D6 | × | R | CH3 輸入信號現在值 | | | | | | | | | | | | | | | | |
| #15 | H'40D7 | × | R | CH4 輸入信號現在值 | | | | | | | | | | | | | | | | |
| #18 | H'40DA | ○ | R/W | CH1 微調 OFFSET 值 | 通道 CH1 ~ CH4 訊號的 OFFSET 設定，出廠設定值為 K0，單位為 LSB。 電壓輸入時：可設定範圍 K-1,000 ~ K1,000 電流輸入時：可設定範圍 K-1,000 ~ K1,000 | | | | | | | | | | | | | | | |
| #19 | H'40DB | ○ | R/W | CH2 微調 OFFSET 值 | | | | | | | | | | | | | | | | |
| #20 | H'40DC | ○ | R/W | CH3 微調 OFFSET 值 | | | | | | | | | | | | | | | | |
| #21 | H'40DD | ○ | R/W | CH4 微調 OFFSET 值 | | | | | | | | | | | | | | | | |
| #22 | H'40DE | ○ | R/W | CH5 微調 OFFSET 值 | 通道 CH5 ~ CH6 訊號的 OFFSET 設定，可設定範圍 K-2,000 ~ K2,000。 出廠設定值為 K0，單位為 LSB。 | | | | | | | | | | | | | | | |
| #23 | H'40DF | ○ | R/W | CH6 微調 OFFSET 值 | | | | | | | | | | | | | | | | |
| 註：CR#18-CR#23 當更改 CR#1 輸入模式時，微調 OFFSET 值將會重新變更為該模式內部預設值。 | | | | | | | | | | | | | | | | | | | | |
| #24 | H'40E0 | ○ | R/W | CH1 微調 GAIN 值 | 通道 CH1 ~ CH4 訊號的 GAIN 設定，出廠設定值為 K1,000，單位為 LSB。 電壓輸入時：可設定範圍 K-800 ~ K4,000 電流輸入時：可設定範圍 K-800 ~ K2,600 註：當更改 CR#1 輸入模式時，微調 GAIN 值將會重新變更為該模式內部預設值。 | | | | | | | | | | | | | | | |
| #25 | H'40E1 | ○ | R/W | CH2 微調 GAIN 值 | | | | | | | | | | | | | | | | |
| #26 | H'40E2 | ○ | R/W | CH3 微調 GAIN 值 | | | | | | | | | | | | | | | | |
| #27 | H'40E3 | ○ | R/W | CH4 微調 GAIN 值 | | | | | | | | | | | | | | | | |
| CR#24 ~ CR#27：需特別注意 GAIN 值 - OFFSET 值 = +200 _{LSB} ~ +3,000 _{LSB} (電壓) 或 +200 _{LSB} ~ +1,600 _{LSB} (電流)，當此值較小時 (急斜線)，對於輸入信號之解析度較細，數位值可做較大的變化。當此值較大時 (緩斜線)，對於輸入信號之解析度較粗，數位值可做較小的變化。 | | | | | | | | | | | | | | | | | | | | |
| #28 | H'40E4 | ○ | R/W | CH5 微調 GAIN 值 | 通道 CH5 ~ CH6 訊號的 GAIN 設定，可設定範圍 K0 ~ K4,000 出廠設定值為 K2,000，單位為 LSB。 | | | | | | | | | | | | | | | |
| #29 | H'40E5 | ○ | R/W | CH6 微調 GAIN 值 | | | | | | | | | | | | | | | | |

CR#28 ~ CR#29：需特別注意 GAIN 值 - OFFSET 值 = +400_{LSB} ~ +6,000_{LSB} (電壓或電流)，當此值較小時 (急斜線)，對於輸出信號之解析度較細，數位值變化較大。當此值較大時 (緩斜線)，對於輸出信號之解析度較粗，數位值變化較小。

#30 H'40E6 R 錯誤狀態 儲存所有錯誤狀態的資料暫存器，詳細內容請參照錯誤信息表。

CR#30：錯誤狀態值請參照錯誤狀態表：

| 錯誤狀態 | 內容值 | b15 ~ b8 | b7 | b6 | b5 | b4 | b3 | b2 | b1 | b0 |
|----------------|-------------|----------|----|----|----|----|----|----|----|----|
| 電源異常 | K1 (H'1) | 保留 | 0 | 0 | 0 | 0 | 0 | 0 | 0 | 1 |
| 刻度超過 | K2 (H'2) | | 0 | 0 | 0 | 0 | 0 | 0 | 1 | 0 |
| 模式設定錯誤 | K4 (H'4) | | 0 | 0 | 0 | 0 | 0 | 1 | 0 | 0 |
| OFFSET/GAIN 錯誤 | K8 (H'8) | | 0 | 0 | 0 | 0 | 1 | 0 | 0 | 0 |
| 記憶體檢測異常 | K16 (H'10) | | 0 | 0 | 0 | 1 | 0 | 0 | 0 | 0 |
| 變換值異常 | K32 (H'20) | | 0 | 0 | 1 | 0 | 0 | 0 | 0 | 0 |
| 平均次數設定錯誤 | K64 (H'40) | | 0 | 1 | 0 | 0 | 0 | 0 | 0 | 0 |
| 指令錯誤 | K128 (H'80) | | 1 | 0 | 0 | 0 | 0 | 0 | 0 | 0 |

註：每個錯誤狀態由相對應之位元 b0 ~ b7 決定，有可能會同時產生兩個以上之錯誤狀態，0 代表正常無錯誤，1 代表有錯誤狀態產生。

例：當數位輸入超過 4,000 時會顯示刻度超過 (K2) 錯誤；當類比輸出超過 10V 時，會同時顯示變換值異常 (K32) 及刻度超過 (K2) 的錯誤狀態。(A/D 不支援顯示刻度超過錯誤)

#31 H'40E7 R/W 通訊位址設定 設定 RS-485 通訊位址，設定範圍 01 ~ 254。出廠設定值為 K1。

#32 H'40E8 R/W 通訊格式設定 設定通訊速率，共有 4,800 bps/9,600 bps/19,200 bps/38,400 bps/57,600 bps/115,200 bps 六種可使用，資料格式可使用之設定如下：

ASCII : 7,E,1 / 7,O,1 / 8,E,1 / 8,O,1 / 8,N,1 / 7,E,2 / 7,O,2 / 7,N,2 / 8,E,2 / 8,O,2 / 8,N,2

RTU : 8,E,1 / 8,O,1 / 8,N,1 / 8,E,2 / 8,O,2 / 8,N,2

出廠設定值為 ASCII,9600,7,E,1 (CR#32=H'0002)

詳細設定方式請參照表末之 CR#32 通訊格式設定說明。

#33 H'40E9 R/W 恢復出廠設定及設定特性微調權限

| b15 | b14 | b13 | b12 | b11 | b10 | b9 | b8 | b7 | b6 | b5 | b4 | b3 | b2 | b1 | b0 |
|-----|-----|-----|-----|-----|-----|-----|----|-----|----|-----|----|----|----|----|----|
| CH6 | | CH5 | | CH4 | | CH3 | | CH2 | | CH1 | | | | | |

出廠值 H'0000, CH1 ~ CH4 以 CH1 設定來說明：

1. 當 b0 為 0 時，可由使用者設定 CH1 的特性微調 CR#18, CR#24。當 b0 為 1 時，禁止使用者調整 CH1 特性微調 CR#18, CR#24。

2. b1 代表是否特性微調暫存器為停電保持，b1 = 0 (出廠預設值，要停電保持)，b1 = 1 (非停電保持)。

3. b2 設定為 1 時，所有設定值將回復為原廠設定值。

CH5 ~ CH6 以 CH5 設定來說明： b13, b12：

00：可微調，停電保持。01：可微調，不停電保持。

10：禁止微調。11：回復為原廠設定值，並將 b13, b12 清為 0。

CR#33：內容值用來設定一些內部功能的使用權如特性微調暫存器等。而輸出保持的功能將會於斷電前將輸出設定值存於內部記憶體中。

#34 H'40EA R 韌體版本 16 進制，顯示目前韌體版本，如 1.0A 則 H'010A。

#35 ~ #48 系統內部使用

符號定義： 表示為停電保持型； 表示為非停電保持型。

R 表示為可使用 FROM 指令讀取資料，W 表示為可使用 TO 指令寫入資料，或利用 RS-485 通訊讀寫資料。

LSB (Least Significant Bit) 最低有效位元值：

電壓輸入：1_{LSB} = 10V/2,000 = 5mV；電流輸入：1_{LSB} = 20mA/1,000 = 20μA

電壓輸出：1_{LSB} = 10V/4,000 = 2.5mV；電流輸出：1_{LSB} = 20mA/4,000 = 5μA

※ 模組重置(韌體版本 V4.06 以上才可使用)：若需要將此模組所有設定重置，首先需確保模組的外部 24V 電源輸入口已連接電源，接著將重置指令 H'4352 寫入 CR#0，並斷電重啟，即完成所有設定的重置。

※ CR#32 通訊格式設定說明：韌體版本 V4.04 (含)以下，不開放資料格式(b11~b8)選擇，ASCII 固定為 7, E, 1 格式(代碼 H'00xx)，RTU 固定為 8, E, 1 格式(代碼 H'C0xx/H'80xx)。韌體版本為 V4.05(含)以上，請參考下表設定，並且請注意原先設定代碼 H'C0xx/H'80xx，被使用於新通訊格式時，模組將會自動改為 RTU, 8, E, 1。

| b15 ~ b12 | | b11 ~ b8 | | | | b7 ~ b0 | |
|------------------------|-------------------|----------|---------|-----|---------|---------|-----------|
| ASCII/RTU 及檢查碼高低位交換 | | 資料格式 | | | | 通訊速率 | |
| 說明 | | | | | | | |
| H'0 | ASCII | H'0 | 7,E,1*1 | H'6 | 7,E,2*1 | H'01 | 4800 bps |
| H'8 | RTU, 檢查碼高低位不交換 | H'1 | 8,E,1 | H'7 | 8,E,2 | H'02 | 9600 bps |
| | | H'2 | - | H'8 | 7,N,2*1 | H'04 | 19200 bps |

| | | | | | | | |
|-----|------------------|-----|---------|-----|---------|------|------------|
| H'C | RTU, 檢查碼高低位交換 | H'3 | 8,N,1 | H'9 | 8,N,2 | H'08 | 38400 bps |
| | | H'4 | 7,O,1*1 | H'A | 7,O,2*1 | H'10 | 57600 bps |
| | | H'5 | 8,O,1 | H'B | 8,O,2 | H'20 | 115200 bps |

ex: 欲設定 RTU(檢查碼高低位交換) 8,N,1,通訊速率為 57600 bps, 則對 CR#32 寫入 H'C310。

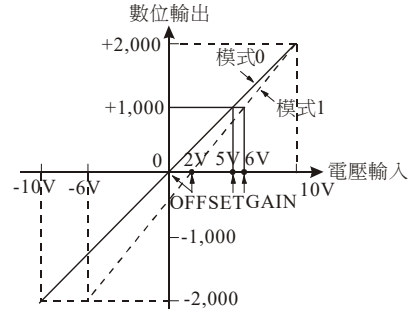
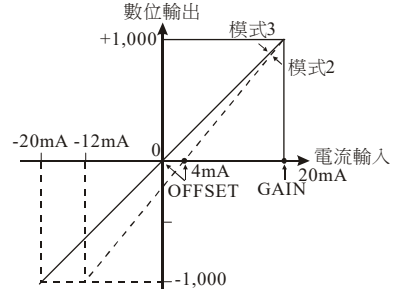
Note *1. 僅支援 ASCII 模式

※ CR#0 ~ CR#34: 對應之參數位址 H'40C8 ~ H'40EA 可提供使用者利用 RS-485 通訊來讀寫資料, 由 RS-485 通訊時須先將模組與主機分離。

1. 功能碼 (Function): H'03 讀出暫存器資料。H'06 寫入一個 word 資料至暫存器。H'10 寫入多筆 word 資料至暫存器。
2. 停電保持型的 CR 須由 RS-485 通訊來寫入人才有停電保持的功能, 如果是由主機以 TO/DTO 指令寫入則不會有停電保持的功能。

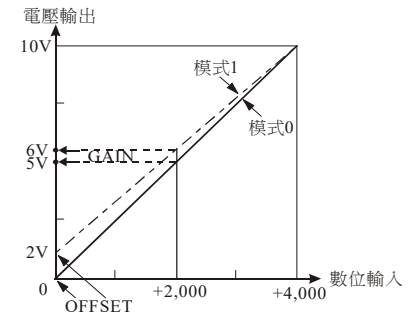
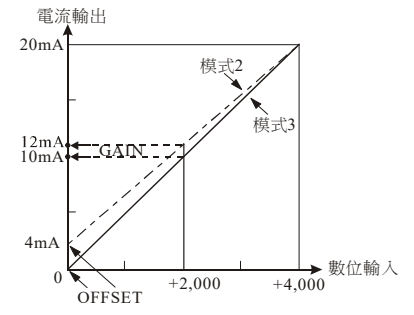
④ 溫度/數位特性曲線'

■ CH1 ~ CH4 調整 A/D 轉換特性曲線說明

| | | |
|--|--|--|
| 電壓輸入模式  | CR#1 之模式 0 | GAIN = 5V (1,000 _{LSB}). OFFSET = 0V (0 _{LSB}). |
| | CR#1 之模式 1 | GAIN = 6V (1,200 _{LSB}). OFFSET = 2V (400 _{LSB}). |
| | GAIN | 當數位輸出值為 K4,000 時的電壓輸入值。 設定範圍: -800 _{LSB} ~ +4,000 _{LSB} 。 |
| | OFFSET | 當數位輸入值為 K0 時的電壓輸出值。 設定範圍: -1,000 _{LSB} ~ +1,000 _{LSB} 。 |
| 電流輸入模式  | CR#1 之模式 2 | GAIN = 20mA (1,000 _{LSB}). OFFSET = 4mA (200 _{LSB}). |
| | CR#1 之模式 3 | GAIN = 20mA (1,000 _{LSB}). OFFSET = 0mA (0 _{LSB}). |
| | GAIN | 當數位輸入值為 K1,000 時的電流輸出值。 設定範圍: -800 _{LSB} ~ +2,600 _{LSB} 。 |
| | OFFSET | 當數位輸入值為 K0 時的電流輸出值。 設定範圍: -1,000 _{LSB} ~ +1,000 _{LSB} 。 |
| GAIN - OFFSET | 範圍須在 +200 _{LSB} ~ +3,000 _{LSB} 之間。 | |
| GAIN - OFFSET | 範圍須在 +200 _{LSB} ~ +1,600 _{LSB} 之間。 | |

上列表示電壓輸入模式與電流輸入模式之 A/D 轉換特性曲線, 使用者可依據實際應用需要來調整轉換特性曲線, 調整時以改變 OFFSET 值 (CR#18 ~ CR#21) 及 GAIN 值 (CR#24 ~ CR#27) 來進行。

■ CH5 ~ CH6 調整 D/A 轉換特性曲線說明

| | | |
|---|---|---|
| 電壓輸出模式  | CR#1 之模式 0 | GAIN = 5V (2,000 _{LSB}). OFFSET = 0V (0 _{LSB}). |
| | CR#1 之模式 1 | GAIN = 6V (2,400 _{LSB}). OFFSET = 2V (800 _{LSB}). |
| | GAIN | 當數位輸入值為 K2,000 時的電壓輸出值 設定範圍: 0 _{LSB} ~ +4,000 _{LSB} |
| | OFFSET | 當數位輸入值為 K0 時的電壓輸出值 設定範圍: -2,000 _{LSB} ~ +2,000 _{LSB} |
| GAIN - OFFSET | 範圍須在 +400 _{LSB} ~ +6,000 _{LSB} 之間 | |
| 電流輸出模式  | CR#1 之模式 2 | GAIN = 12mA (2,400 _{LSB}). OFFSET = 4mA (800 _{LSB}). |
| | CR#1 之模式 3 | GAIN = 10mA (2,000 _{LSB}). OFFSET = 0mA (0 _{LSB}). |
| | GAIN | 當數位輸入值為 K2,000 時的電流輸出值 設定範圍: 0 _{LSB} ~ +4,000 _{LSB} |
| | OFFSET | 當數位輸入值為 K0 時的電流輸出值 設定範圍: -2,000 _{LSB} ~ +2,000 _{LSB} |
| GAIN - OFFSET | 範圍須在 +400 _{LSB} ~ +6,000 _{LSB} 之間 | |

上列表示電壓輸出模式與電流輸出模式之 D/A 轉換特性曲線, 使用者可依據實際應用需要來調整轉換特性曲線, 調整時以改變 OFFSET 值 (CR#14 ~ CR#15) 及 GAIN 值 (CR#18 ~ CR#19) 來進行。



注意事项

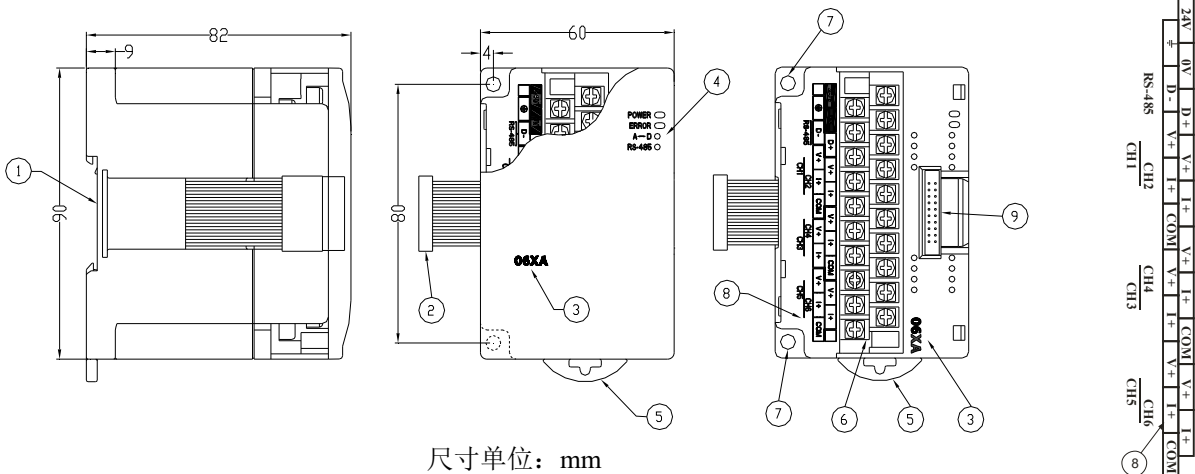
- ✓ 请在使用之前，详细阅读本使用说明书。
- ✓ 请勿在上电时触摸任何端子。实施配线，务必关闭电源。
- ✓ 本机为开放型 (OPEN TYPE) 机壳，因此使用者使用本机时，必须将之安装于具防尘、防潮及免于电击 / 冲击意外的外壳配线箱内。另必须具备保护措施（如：特殊的工具或钥匙才可打开）防止非维护人员操作或意外冲击本体，造成危险及损坏。
- ✓ 输入电源不可连接于输入 / 出信号端，否则可能造成严重的损坏，因此请在上电之前再次确认电源配线。
- ✓ 输入电源切断后，一分钟之内，请勿触摸内部电路。
- ✓ 本体上的接地端子 ⊕ 务必正确的接地，可提高产品抗噪声能力。

1 产品简介

■ 说明及周边装置

- 感谢您采用台达 DVP 系列产品。DVP06XA-H2 模拟输入/输出混合模块包含可接受外部 4 点模拟信号输入（电压或电流皆可），将之转换成 12 位的数字信号。模拟信号输出部份接受来自 PLC 主机的 2 组 12 位数字数据，再将数字数据转换为 2 点模拟信号输出（电压或电流皆可）。
- 模拟信号输入部份使用者可经由配线选择电压输入或电流输入。电压输入范围 $\pm 10V$ DC（分辨率为 $5mV$ ）。电流输入范围 $\pm 20mA$ （分辨率为 $20\mu A$ ）。
- 模拟信号输出部份使用者可经由配线选择电压输出或电流输出。电压输出范围 $0V \sim +10V$ DC（分辨率为 $2.5mV$ ）。电流输出范围 $0mA \sim 20mA$ （分辨率为 $5\mu A$ ）。

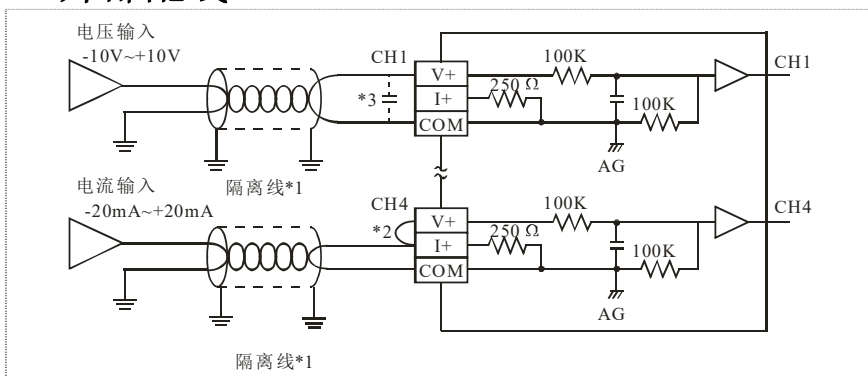
■ 产品外观及各部介绍



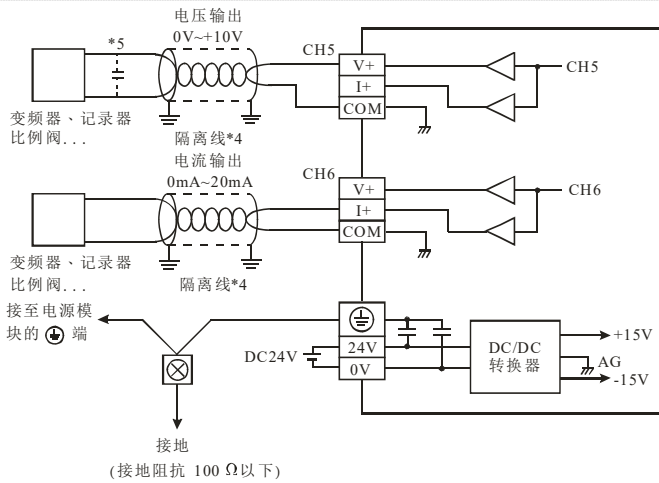
尺寸单位: mm

- | | |
|-----------------|-----------------|
| ① DIN 轨槽 (35mm) | ⑥ 端子 |
| ② 扩展机/扩展模块连接口 | ⑦ 固定孔 |
| ③ 机种名称 | ⑧ 端子配置 |
| ④ 电源、错误及转换指示灯 | ⑨ 扩展机 / 扩展模块连接座 |
| ⑤ DIN 轨固定扣 | |

■ 外部配线



- 注 1：模拟输入请与其他电源线隔离。
- 注 2：如果连接电流信号时，V+及 I+ 端子请务必短路。
- 注 3：如果输入电压有涟波造成配线受噪声干扰时请连接 $0.1 \sim 0.47\mu F$ 25V 的电容。



注 4：模拟输出请与其他电源线隔离。

注 5：如果负载的输入端涟波太大造成配线受噪声干扰时，请连接 0.1 ~ 0.47μF 25V 的电容器。

注 6：请将电源模块的⊕端及 DVP06XA-H2 模拟信号输出模块的⊕端连接到系统接地点，再将系统接点作接地或接到配电箱的机壳上。

注意：空端子 ● 请勿配线。

2 规格

| 模拟 / 数字 (AD) 部份 | 电压输入 | 电流输入 |
|------------------|---|-----------------------|
| 电源电压 | 24V DC (20.4V DC ~ 28.8V DC) (-15% ~ +20%) | |
| 模拟信号输入通道 | 4 通道/台 | |
| 模拟输入范围 | ±10V | ±20mA |
| 数字转换范围 | ±2,000 | ±1,000 |
| 分辨率 | 12 bits (1LSB = 5mV) | 11 bits (1LSB = 20μA) |
| 输入阻抗 | 200KΩ | 250Ω |
| 总和和精密度 | ±0.5% 在 (25°C, 77°F) 范围内满刻度时。±1% 在 (0 ~ 55°C, 32 ~ 131°F) 范围内满刻度时。 | |
| 响应时间 | 3ms × 通道数 | |
| 隔离方式 | 模拟与数字端使用光耦合器隔离，模拟通道间未隔离。 | |
| 绝对输入范围 | ±15V | ±32mA |
| 数字数据格式 | 16 位二补数，有效位 11 bits | |
| 平均功能 | 有 (CR#2 ~ CR#5 可设定，范围 K1 ~ K20) | |
| 自我诊断功能 | 上下极限侦测 / 通道 | |
| 数字 / 模拟 (DA) 部份 | 电压输出 | 电流输出 |
| 模拟信号输出通道 | 2 通道 / 台 | |
| 模拟输出范围 | 0 ~ 10V | 0 ~ 20mA |
| 数字数据范围 | 0 ~ 4,000 | 0 ~ 4,000 |
| 分辨率 | 12 bits (1LSB = 2.5mV) | 12 bits (1LSB = 5μA) |
| 总和和精密度 | ±0.5% 在 (25°C, 77°F) 范围内满刻度时。±1% 在 (0 ~ 55°C, 32 ~ 131°F) 范围内满刻度时。 | |
| 输出阻抗 | ≤ 0.5 Ω | ≥ 1MΩ |
| 响应时间 | 3ms × 通道数 | |
| 最大输出电流 | 10mA | - |
| 容许负载阻抗 | ≥ 1KΩ | ≤ 500Ω |
| 数字数据格式 | 16 位二补数，有效位 11 bits | |
| 隔离方式 | 模拟与数字端使用光耦合器隔离，模拟通道间未隔离。 | |
| 保护 | 电压输出有短路保护但须注意长时间短路仍有可能造成内部线路损坏，电流输出可开路。 | |
| 通讯模式 (RS-485) | 有，包含 ASCII/RTU 模式，默认通讯格式为 9600, 7, E, 1, ASCII，详细通讯格式请参考 CR#32 说明。 备注 1：当与 PLC 主机串接时，RS-485 通讯无法使用。 备注 2：用户可利用 ISPSoft 之 扩充模块监控 功能，查询或修改模块的控制寄存器 (CR)。 | |
| 与 DVP-PLC 主机串接说明 | 模块编号以靠近主机的顺序自动编号由 0 到 7，最大可连接 8 台且不占用数字 I/O 点数。 | |

■ 其他规格

电源规格

额定最大消耗功率 直流 24V DC (20.4V DC ~ 28.8V DC) (-15% ~ +20%), 3.5W, 由外部电源供应

环境规格

操作 / 储存环境 操作：0°C ~ 55°C (温度)，5 ~ 95% (湿度)，污染等级 2
储存：-25°C ~ 70°C (温度)，5 ~ 95% (湿度)

耐振动 / 冲击 国际标准规范 IEC 61131-2, IEC 68-2-6 (TEST Fc) / IEC 61131-2 & IEC 68-2-27 (TEST Ea)

③ 控制寄存器 CR

| CR 编号 | RS-485 参数地址 | 保持型 | | 寄存器名称 | b15 | b14 | b13 | b12 | b11 | b10 | b9 | b8 | b7 | b6 | b5 | b4 | b3 | b2 | b1 | b0 |
|---|----------------|-----|-----|-----------------|---|-----|-----|-----|-----|-----|-----|----|-----|----|-----|----|----|----|----|----|
| #0 | H'40C8 | ○ | R | 机种型号 | 系统内定。DVP06XA-H2 机种编码 = H'6604 使用者可在程序中将此机种型号读出，以判断扩展模块是否存在。 | | | | | | | | | | | | | | | |
| #1 | H'40C9 | ○ | R/W | 输入 / 输出模式设定 | CH6 | | CH5 | | CH4 | | CH3 | | CH2 | | CH1 | | | | | |
| | | | | | 输入模式设定 (CH1 ~ CH4): 模式 0: 电压输入模式 (-10V ~ +10V)。默认值为 H'0000 模式 1: 电压输入模式 (-6V ~ +10V) 模式 2: 电流输入模式 (-12mA ~ +20mA) 模式 3: 电流输入模式 (-20mA ~ +20mA) 输出模式设定 (CH5 ~ CH6): 模式 0: 电压输出模式 (0V ~ 10V); 模式 1: 电压输出模式 (2V ~ 10V) 模式 2: 电流输出模式 (4mA ~ 20mA); 模式 3: 电流输出模式 (0mA ~ 20mA) | | | | | | | | | | | | | | | |
| CR#1: b0 ~ b11 内容值用来设定模拟信号输入(AD)部份四个通道的工作模式，每个通道各有四种模式，可独立设定。例如要将 CH1 ~ CH4 分别输入设定为 CH1: 模式 0 (b2 ~ b0 = 000), CH2: 模式 1 (b5 ~ b3 = 001), CH3: 模式 2 (b8 ~ b6 = 010), CH4: 模式 3 (b11 ~ b9 = 011)时，须将 b0 ~ b11 设为 H' 688。b12 ~ b15 内容值用来设定模拟信号输出(DA)部份两个通道的工作模式，每个通道各有四种模式，可独立设定。例如要将 CH5 ~ CH6 分别输出设定为 CH5: 模式 2 (b13 ~ b12 = 10), CH6: 模式 1 (b15 ~ b14 = 01)，须将 b12 ~ b15 设为 H5。出厂设定值为 H'0000。 | | | | | | | | | | | | | | | | | | | | |
| #2 | H'40CA | ○ | R/W | CH1 平均次数 | 通道 CH1 ~ CH4 输入信号的平均次数设定，可设定范围 K1 ~ K20。 出厂设定值为 K10 请注意写入平均次数设定于 CR#2 ~ CR#5 只须写入一次 | | | | | | | | | | | | | | | |
| #3 | H'40CB | ○ | R/W | CH2 平均次数 | | | | | | | | | | | | | | | | |
| #4 | H'40CC | ○ | R/W | CH3 平均次数 | | | | | | | | | | | | | | | | |
| #5 | H'40CD | ○ | R/W | CH4 平均次数 | | | | | | | | | | | | | | | | |
| #6 | H'40CE | × | R | CH1 输入信号平均值 | 通道 CH1 ~ CH4 输入信号平均值显示 假设平均次数设定为 10，即每经过 10 次通道 CH1 ~ CH4 输入信号时取一次平均。 | | | | | | | | | | | | | | | |
| #7 | H'40CF | × | R | CH2 输入信号平均值 | | | | | | | | | | | | | | | | |
| #8 | H'40D0 | × | R | CH3 输入信号平均值 | | | | | | | | | | | | | | | | |
| #9 | H'40D1 | × | R | CH4 输入信号平均值 | | | | | | | | | | | | | | | | |
| #10 | H'40D2 | × | R/W | CH5 输出数值 | 通道 CH5 ~ CH6 输出数值，可设定范围 K0 ~ K4,000。 出厂设定值为 K0，单位为 LSB。 | | | | | | | | | | | | | | | |
| #11 | H'40D3 | × | R/W | CH6 输出数值 | | | | | | | | | | | | | | | | |
| #12 | H'40D4 | × | R | CH1 输入信号现在值 | 通道 CH1 ~ CH4 输入信号现在值显示 | | | | | | | | | | | | | | | |
| #13 | H'40D5 | × | R | CH2 输入信号现在值 | | | | | | | | | | | | | | | | |
| #14 | H'40D6 | × | R | CH3 输入信号现在值 | | | | | | | | | | | | | | | | |
| #15 | H'40D7 | × | R | CH4 输入信号现在值 | | | | | | | | | | | | | | | | |
| #18 | H'40DA | ○ | R/W | CH1 微调 OFFSET 值 | 通道 CH1 ~ CH4 信号的 OFFSET 设定，默认值为 K0，单位为 LSB。 电压输入时：可设定范围 K-1,000 ~ K1,000 电流输入时：可设定范围 K-1,000 ~ K1,000 | | | | | | | | | | | | | | | |
| #19 | H'40DB | ○ | R/W | CH2 微调 OFFSET 值 | | | | | | | | | | | | | | | | |
| #20 | H'40DC | ○ | R/W | CH3 微调 OFFSET 值 | | | | | | | | | | | | | | | | |
| #21 | H'40DD | ○ | R/W | CH4 微调 OFFSET 值 | | | | | | | | | | | | | | | | |
| #22 | H'40DE | ○ | R/W | CH5 微调 OFFSET 值 | 通道 CH5 ~ CH6 信号的 OFFSET 设定，可设定范围 K-2,000 ~ K2,000。 默认值为 K0，单位为 LSB。 | | | | | | | | | | | | | | | |
| #23 | H'40DF | ○ | R/W | CH6 微调 OFFSET 值 | | | | | | | | | | | | | | | | |
| 注：CR#18-CR#23 当更改 CR#1 输入模式时，微调 OFFSET 值将会重新变更为该模式内部默认值。 | | | | | | | | | | | | | | | | | | | | |
| #24 | H'40E0 | ○ | R/W | CH1 微调 GAIN 值 | 通道 CH1 ~ CH4 信号的 GAIN 设定，默认值为 K1,000，单位为 LSB。 电压输入时：可设定范围 K-800 ~ K4,000 电流输入时：可设定范围 K-800 ~ K2,600 注：当更改 CR#1 输入模式时，微调 GAIN 值将会重新变更为该模式内部默认值。 | | | | | | | | | | | | | | | |
| #25 | H'40E1 | ○ | R/W | CH2 微调 GAIN 值 | | | | | | | | | | | | | | | | |
| #26 | H'40E2 | ○ | R/W | CH3 微调 GAIN 值 | | | | | | | | | | | | | | | | |
| #27 | H'40E3 | ○ | R/W | CH4 微调 GAIN 值 | | | | | | | | | | | | | | | | |
| 需特别注意 GAIN 值 - OFFSET 值 = +200 _{LSB} ~ +3,000 _{LSB} (电压) 或 +200 _{LSB} ~ +1,600 _{LSB} (电流)，当此值较小时 (急斜线)，对于输入信号的分辨率较细，数字值可做较大的变化。当此值较大时 (缓斜线)，对于输入信号的分辨率较粗，数字值可做较小的变化。 | | | | | | | | | | | | | | | | | | | | |
| #28 | H'40E4 | ○ | R/W | CH5 微调 GAIN 值 | 通道 CH5 ~ CH6 信号的 GAIN 设定，可设定范围 K0 ~ K4,000 默认值为 K2,000，单位为 LSB。 | | | | | | | | | | | | | | | |
| #29 | H'40E5 | ○ | R/W | CH6 微调 GAIN 值 | | | | | | | | | | | | | | | | |
| 需特别注意 GAIN 值 - OFFSET 值 = +400 _{LSB} ~ +6,000 _{LSB} (电压或电流)，当此值较小时 (急斜线)，对于输出信号的分辨率较细，数字值变化较大。当此值较大时 (缓斜线)，对于输出信号的分辨率较粗，数字值变化较小。 | | | | | | | | | | | | | | | | | | | | |
| #30 | H'40E6 | × | R | 错误状态 | 储存所有错误状态的数据寄存器，详细内容请参照错误信息表。 | | | | | | | | | | | | | | | |

CR#30: 错误状态值请参照错误状态表:

| 错误状态 | 内容值 | b15 ~ b8 | b7 | b6 | b5 | b4 | b3 | b2 | b1 | b0 |
|----------------|-------------|----------|----|----|----|----|----|----|----|----|
| 电源异常 | K1 (H'1) | 保留 | 0 | 0 | 0 | 0 | 0 | 0 | 0 | 1 |
| 刻度超过 | K2 (H'2) | | 0 | 0 | 0 | 0 | 0 | 0 | 1 | 0 |
| 模式设定错误 | K4 (H'4) | | 0 | 0 | 0 | 0 | 0 | 1 | 0 | 0 |
| OFFSET/GAIN 错误 | K8 (H'8) | | 0 | 0 | 0 | 0 | 1 | 0 | 0 | 0 |
| 内存检测异常 | K16 (H'10) | | 0 | 0 | 0 | 1 | 0 | 0 | 0 | 0 |
| 变换值异常 | K32 (H'20) | | 0 | 0 | 1 | 0 | 0 | 0 | 0 | 0 |
| 平均次数设定错误 | K64 (H'40) | | 0 | 1 | 0 | 0 | 0 | 0 | 0 | 0 |
| 指令错误 | K128 (H'80) | | 1 | 0 | 0 | 0 | 0 | 0 | 0 | 0 |

注: 每个错误状态由相对应的位 b0 ~ b7 决定, 有可能会同时产生两个以上的错误状态, 0 代表正常无错误, 1 代表有错误状态产生。

例: 当数字输入超过 4000 时会显示刻度超过 (K2) 错误; 当模拟输出超过 10V 时, 会同时显示变换值异常 (K32) 及刻度超过 (K2) 的错误状态。(A/D 不支持显示刻度超过错误)

| #31 | H'40E7 | ○ | R/W | 通讯地址设定 | 设定 RS-485 通讯地址, 设定范围 01 ~ 254。默认值为 K1。 | | | | | | | | | | | | | | | | | | | | | | | | | | | | | | | | |
|-----|--------|-----|-----|-----------------|---|-----|-----|-----|-----|-----|-----|----|----|----|----|----|----|----|----|----|----|-----|--|-----|--|-----|--|-----|--|-----|--|-----|--|--|--|--|--|
| #32 | H'40E8 | ○ | R/W | 通讯格式设定 | 设定通讯速率, 共有 4,800 bps/9,600 bps/19,200 bps/38,400 bps/57,600 bps/115,200 bps 六种可使用, 数据格式可使用之设定如下: ASCII: 7,E,1 / 7,O,1 / 8,E,1 / 8,O,1 / 8,N,1 / 7,E,2 / 7,O,2 / 7,N,2 / 8,E,2 / 8,O,2 / 8,N,2 RTU : 8,E,1 / 8,O,1 / 8,N,1 / 8,E,2 / 8,O,2 / 8,N,2 出厂设定值为 ASCII,9600,7,E,1 (CR#32=H'0002) 详细设定方式请参照表末之 CR#32 通讯格式设定说明。 | | | | | | | | | | | | | | | | | | | | | | | | | | | | | | | | |
| #33 | H'40E9 | ○ | R/W | 恢复默认设定及设定特性微调权限 | <table border="1"> <thead> <tr> <th>b15</th><th>b14</th><th>b13</th><th>b12</th><th>b11</th><th>b10</th><th>b9</th><th>b8</th><th>b7</th><th>b6</th><th>b5</th><th>b4</th><th>b3</th><th>b2</th><th>b1</th><th>b0</th> </tr> </thead> <tbody> <tr> <td colspan="2">CH6</td><td colspan="2">CH5</td><td colspan="2">CH4</td><td colspan="2">CH3</td><td colspan="2">CH2</td><td colspan="2">CH1</td><td colspan="4"></td> </tr> </tbody> </table> 出厂值 H'0000, CH1 ~ CH4 以 CH1 设定来说明: 1. 当 b0 为 0 时, 可由使用者设定 CH1 的特性微调 CR#18, CR#24。当 b0 为 1 时, 禁止使用者调整 CH1 特性微调 CR#18, CR#24。 2. b1 代表是否特性微调寄存器为停电保持, b1 = 0 (默认值, 要停电保持), b1 = 1 (非停电保持)。 3. b2 设定为 1 时, 所有设定值将回复为默认值。 CH5 ~ CH6 以 CH5 设定来说明: b13, b12: 00: 可微调, 停电保持。01: 可微调, 不停电保持 10: 禁止微调。11: 回复为默认值, 并将 b13, b12 清为 0。 | b15 | b14 | b13 | b12 | b11 | b10 | b9 | b8 | b7 | b6 | b5 | b4 | b3 | b2 | b1 | b0 | CH6 | | CH5 | | CH4 | | CH3 | | CH2 | | CH1 | | | | | |
| b15 | b14 | b13 | b12 | b11 | b10 | b9 | b8 | b7 | b6 | b5 | b4 | b3 | b2 | b1 | b0 | | | | | | | | | | | | | | | | | | | | | | |
| CH6 | | CH5 | | CH4 | | CH3 | | CH2 | | CH1 | | | | | | | | | | | | | | | | | | | | | | | | | | | |

CR#33: 内容值用来设定一些内部功能的使用权如特性微调寄存器等。而输出保持的功能将会于断电前将输出设定值存于内部存储器中。

| | | | | | |
|-----------|--------|---|---|------|-----------------------------------|
| #34 | H'40EA | ○ | R | 韧体版本 | 16 进制, 显示目前韧体版本, 如 1.0A 则 H'010A。 |
| #35 ~ #48 | | | | | 系统内部使用 |

符号定义: ○表示为停电保持型; ×表示为非停电保持型。

R 表示为可使用 FROM 指令读取数据, W 表示为可使用 TO 指令写入数据, 或利用 RS-485 通讯读写数据。

LSB (Least Significant Bit) 最低有效位值:

电压输入: $1_{LSB} = 10V/2,000 = 5mV$; 电流输入: $1_{LSB} = 20mA/1,000 = 20\mu A$ 。

电压输出: $1_{LSB} = 10V/4,000 = 2.5mV$; 电流输出: $1_{LSB} = 20mA/4,000 = 5\mu A$ 。

※ 模块重置(韧体版本 V4.06 以上才可使用): 若需要将此模块所有设定重置, 首先需确保模块的外部 24V 电源输入口已连接电源, 接着将重置指令 H'4352 写入 CR#0, 并断电重启, 即完成所有设定的重置。

※ CR#32 通讯格式设定说明: 韧体版本 V4.04 (含)以下, 不开放数据格式(b11~b8)选择, ASCII 固定为 7, E, 1 格式(代码 H'00xx), RTU 固定为 8, E, 1 格式(代码 H'C0xx/H'80xx)。韧体版本为 V4.05(含)以上, 请参考下表设定, 并且请注意原先设定代码 H'C0xx/H'80xx, 被用于新通讯格式时, 模块将会自动改为 RTU, 8, E, 1。

| b15 ~ b12 | | b11 ~ b8 | | | | b7 ~ b0 | |
|------------------------|-------------------|----------|---------|-----|---------|---------|------------|
| ASCII/RTU 及检查码高低位交换 | | 数据格式 | | | | 通讯速率 | |
| 说明 | | | | | | | |
| H'0 | ASCII | H'0 | 7,E,1*1 | H'6 | 7,E,2*1 | H'01 | 4800 bps |
| H'8 | RTU, 检查码高低位不交换 | H'1 | 8,E,1 | H'7 | 8,E,2 | H'02 | 9600 bps |
| | | H'2 | - | H'8 | 7,N,2*1 | H'04 | 19200 bps |
| H'C | RTU, 检查码高低位交换 | H'3 | 8,N,1 | H'9 | 8,N,2 | H'08 | 38400 bps |
| | | H'4 | 7,O,1*1 | H'A | 7,O,2*1 | H'10 | 57600 bps |
| | | H'5 | 8,O,1 | H'B | 8,O,2 | H'20 | 115200 bps |

ex: 欲设定 RTU(检查码高低位交换) 8,N,1,通讯速率为 57600 bps, 则对 CR#32 写入 H'C310。

Note *1. 仅支持 ASCII 模式

※ CR#0 ~ CR#34: 对应的参数地址 H'40C8 ~ H'40EA 可提供使用者利用 RS-485 通讯来读写数据, 由 RS-485 通讯时须先将模块与主机分离。

1. 功能码 (Function): H'03 读出寄存器数据。H'06 写入一个 word 数据至寄存器。H'10 写入多笔 word 数据至寄存器。
2. 停电保持型的 CR 须由 RS-485 通讯来写入才有停电保持的功能, 如果是由主机以 TO/DTO 指令写入则不会有停电保持的功能。

④ 温度 / 数字特性曲线

■ CH1 ~ CH4 调整 A/D 转换特性曲线说明

| | | |
|---------------|--|--|
| 电压输入模式 | CR#1 之模式 0 | GAIN = 5V (1,000 _{LSB}). OFFSET = 0V (0 _{LSB}). |
| | CR#1 之模式 1 | GAIN = 6V (1,200 _{LSB}). OFFSET = 2V (400 _{LSB}). |
| | GAIN | 当数字输出值为 K4,000 时的电压输入值。 设定范围: -800 _{LSB} ~ +4,000 _{LSB} 。 |
| | OFFSET | 当数字输入值为 K0 时的电压输出值。 设定范围: -1,000 _{LSB} ~ +1,000 _{LSB} 。 |
| 电流输入模式 | CR#1 之模式 2 | GAIN = 20mA (1,000 _{LSB}). OFFSET = 4mA (200 _{LSB}). |
| | CR#1 之模式 3 | GAIN = 20mA (1,000 _{LSB}). OFFSET = 0mA (0 _{LSB}). |
| | GAIN | 当数字输入值为 K1,000 时的电流输出值。 设定范围: -800 _{LSB} ~ +2,600 _{LSB} 。 |
| | OFFSET | 当数字输入值为 K0 时的电流输出值。 设定范围: -1,000 _{LSB} ~ +1,000 _{LSB} 。 |
| GAIN - OFFSET | 范围须在 +200 _{LSB} ~ +1,600 _{LSB} 之间。 | |

上列表示电压输入模式与电流输入模式的 A/D 转换特性曲线, 使用者可依据实际应用需要来调整转换特性曲线, 调整时以改变 OFFSET 值 (CR#18 ~ CR#21) 及 GAIN 值 (CR#24 ~ CR#27) 来进行。

■ CH5 ~ CH6 调整 D/A 转换特性曲线说明

| | | |
|---------------|---|--|
| 电压输出模式 | CR#1 之模式 0 | GAIN = 5V (2,000 _{LSB}). OFFSET = 0V (0 _{LSB}). |
| | CR#1 之模式 1 | GAIN = 6V (2,400 _{LSB}). OFFSET = 2V (800 _{LSB}). |
| | GAIN | 当数字输入值为 K2,000 时的电压输出值 设定范围: 0 _{LSB} ~ +4,000 _{LSB} |
| | OFFSET | 当数字输入值为 K0 时的电压输出值 设定范围: -2,000 _{LSB} ~ +2,000 _{LSB} |
| 电流输出模式 | CR#1 之模式 2 | GAIN = 12mA (2,400 _{LSB}). OFFSET = 4mA (800 _{LSB}). |
| | CR#1 之模式 3 | GAIN = 10mA (2,000 _{LSB}). OFFSET = 0mA (0 _{LSB}). |
| | GAIN | 当数字输入值为 K2,000 时的电流输出值 设定范围: 0 _{LSB} ~ +4,000 _{LSB} |
| | OFFSET | 当数字输入值为 K0 时的电流输出值。 设定范围: -2,000 _{LSB} ~ +2,000 _{LSB} |
| GAIN - OFFSET | 范围须在 +400 _{LSB} ~ +6,000 _{LSB} 之间 | |

上列表示电压输出模式与电流输出模式的 D/A 转换特性曲线, 使用者可依据实际应用需要来调整转换特性曲线, 调整时以改变 OFFSET 值 (CR#14 ~ CR#15) 及 GAIN 值 (CR#18 ~ CR#19) 来进行。